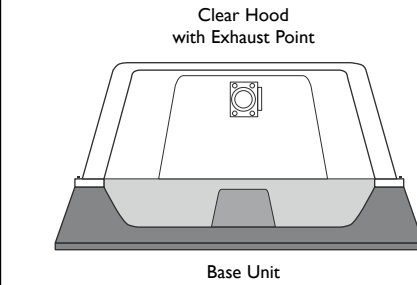
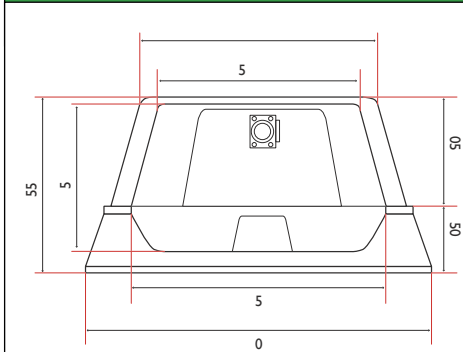




Arms & Accessories

CleanCab Enclosed Extraction Unit



Depth = 510mm



Complete Kit		Hood Only		Base Only	
	Includes: Base Open Hood 57mm Airflow valve Code: 840150		Includes: Open Hood 57mm Airflow valve Code: 840159		Includes: Base Code: 840152
	Includes: Base Open Hood 75mm Exhaust port Code: 840155		Includes: Open Hood 75mm Exhaust port Code: 840171		Includes: Downdraught Base Perforated steel plate Code: 840161
	Includes: Downdraught Base Perforated steel plate Open Hood Code: 840164		Includes: Open Hood Code: 840151		

Connection kits with 51mm cuffs are suitable for 57mm valves - for 75mm exhaust port use kit 100185

Clean Air Feed

Free Clean Air

- Purex machines produce very clean air from the exhaust so why not use it?
- This replacement exhaust cowl can be used to supply clean air to equipment such as lasers, ovens and more...

Machine Range:	Code:
200/400, 200i/400i	190040
800i	190039
1500i/2000i	640002



Dual Inlet Manifold

Connect two hose to one machine.

Manifold:	Code:
Aluminium Manifold	120093
Coated Aluminium Manifold for corrosive fumes.	120093C



(1 x 80mm to 2 x 50mm inlets)

Large Flexible Arms - Call



Digital 400 machines and above only

Compressors

30 PSI / 2.1 bar

Compressor:	Code:
Free standing	100284
Integrated*	100283

* 200i/400i/Alpha/Xbase

